



AT 400

PRODUCT DESCRIPTION :

- Manufactured from high grade stainless steel
- Removable strainer baskets for easy maintenance
- Adjustable feet for easy installation 0 mm - 20 mm
- Flow rate: 1.2 Liters per second (1.2 L/sec)
- Inlet/Outlet 50 mm
- Size (L) X (W) X (H) = 400 mm X 300 mm X 350 mm
- Steel 1.5 mm
- Material 304 Stainless steel
- Gravity separation
- Odour sealing lids

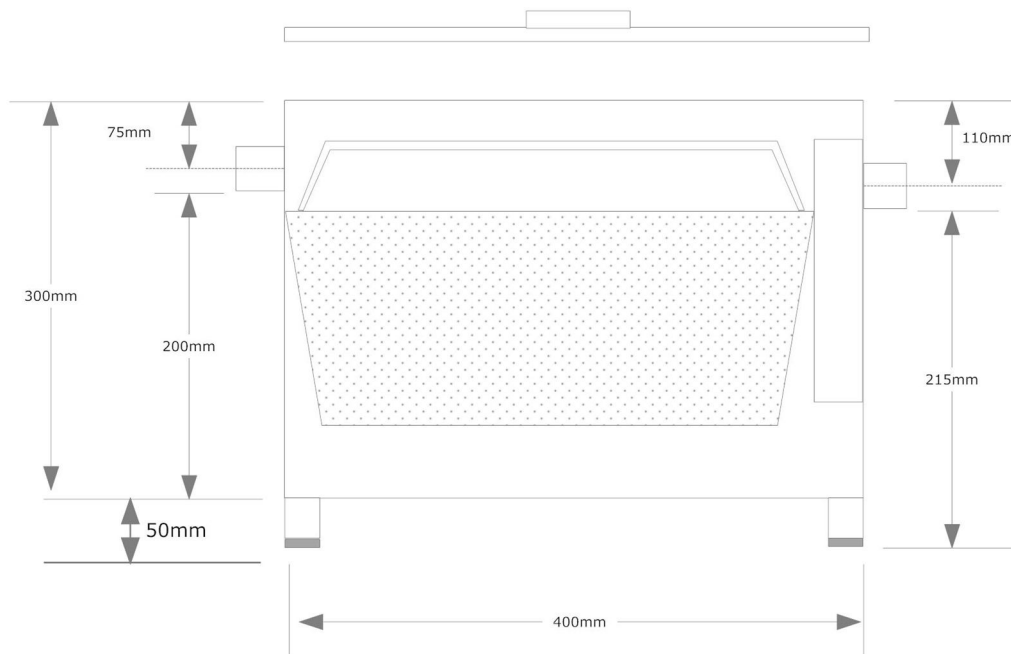
PRODUCT USES:

Bakeries, Large & small restaurants, Kitchens, Butcheries.

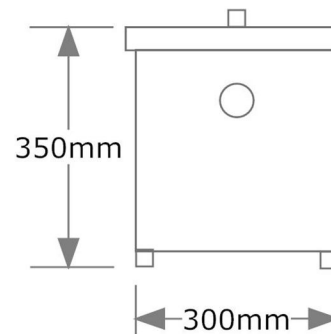


INSTALLATION:

- Under sink
- Next to sink
- Underground
- Outside



FRONT VIEW



TOP VIEW

