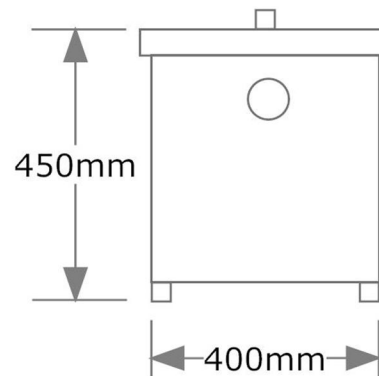
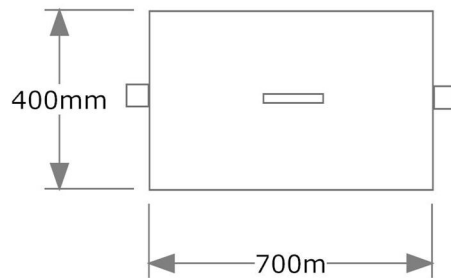


FRONT VIEW



TOP VIEW



AT 700

PRODUCT DESCRIPTION :

- Manufactured from high grade stainless steel
- Removable strainer baskets for easy maintenance
- Adjustable feet for easy installation 0 mm - 20 mm
- Flow rate: 2 Liters per second (2 L/sec)
- Inlet/Outlet 50 mm or 100 mm
- Size (L) X (W) X (H) = 700 mm X 400 mm X 450 mm
- S/steel gauge 1.5 mm
- Material 304 Stainless steel
- Gravity separation
- Odour sealing lids

PRODUCT USES:

Bakeries, Large & small restaurants, Kitchens, Butcheries.



INSTALLATION:

- Under sink
- Next to sink
- Underground
- Outside