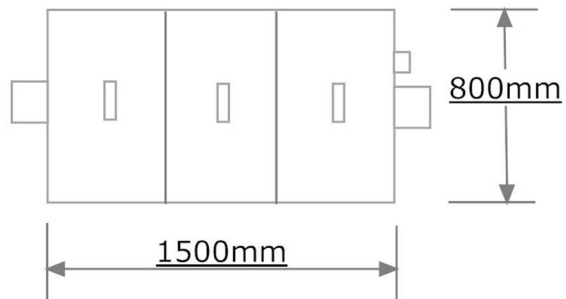
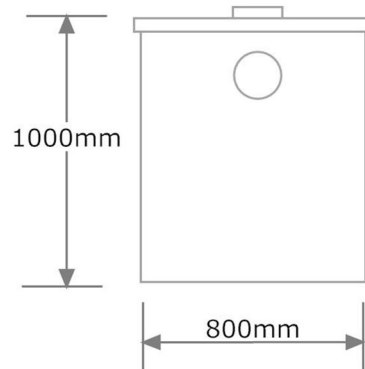


TOP VIEW



FRONT VIEW



4 L/SEC

PRODUCT DESCRIPTION :

- Manufactured from high grade stainless steel
- Removable strainer baskets for easy maintenance
- Flow rate: 4 Liters per second (4L/sec)
- Inlet/Outlet 100 mm
- Size (L) X (W) X (H) = 1500 mm X 800 mm X 1000 mm
- S/steel 2 mm
- Material 304 Stainless steel
- Gravity separation
- Odour sealing lids
- Optional suction outlet
- Outlet vented

PRODUCT USES:

Bakeries, Large & small restaurants, Kitchens, Butcheries.

SIZE CALCULATION

Meals per day

- 200 meals = 1 Lps
- 400 meals = 2 Lps

Small dishwasher
1.5 Lps

Large dishwasher
3 Lps

